



# RACE

*more power*



**MAINTENANCE-FREE  
BATTERY**

# RACE

more power

## ZERO-MAINTENANCE BATTERY



### High Performance Battery

- Designed to suit bad road conditions (vibration), old vehicle and abusive conditions.
- Special patented alloy to withstand extreme weather conditions.



### Safety Venting

Spill resistant and explosion proof vent plugs safeguard against leakage of electrolyte, ensuring improved safety.



### Superior Quality Separators

Double separator in majority of product range to withstand vibration and abusive conditions.



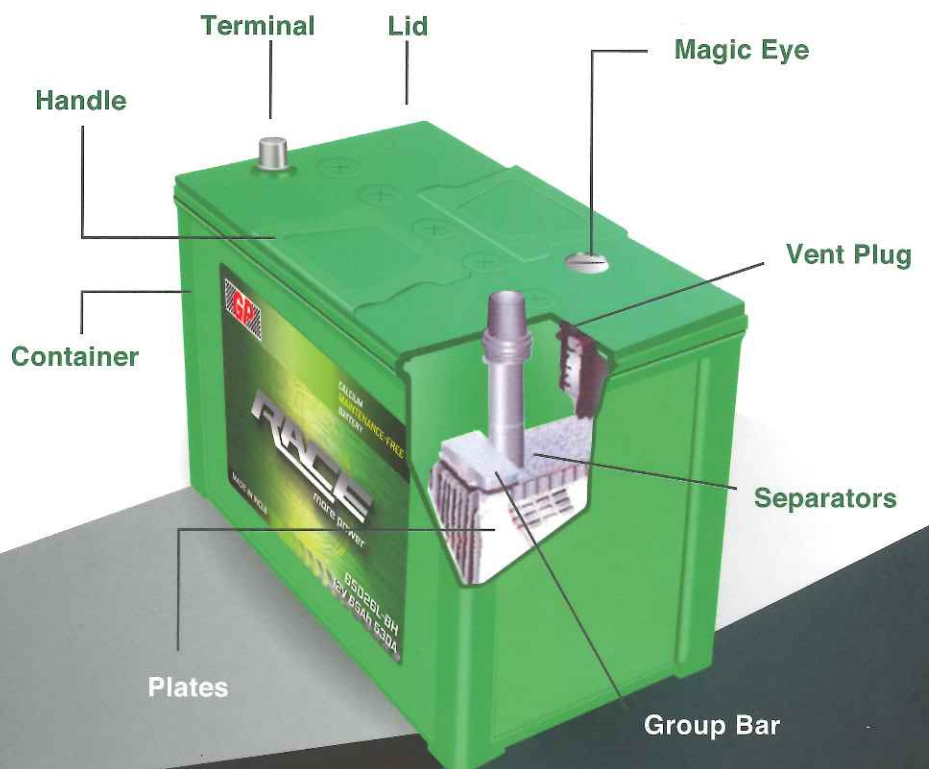
### Easy Handling

Easy lifting handles and light weight strength polypropylene casing enhances user convenience.



### Magic Eye

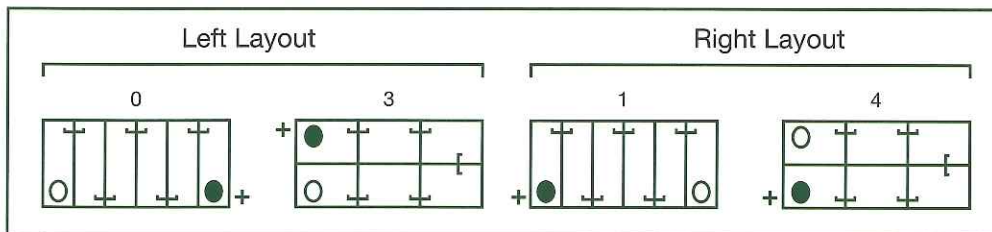
Easily detects electrolyte level to decide on top-up and ensures long life.



## Technical Specification for GP-MF Race

Battery Model	Former JIS Reference	C20 (AH)	CCA (A)	RC (Min)	Wet Weight (kg)	Dimension (mm)			Terminal Type	Polarity
						L	W	TH		
40B19	NS40ZL/R	35	332	54	9.8	187	127	225	T1	L/R
60B24	NS60L/R/LS/RS	45	410	71	12.6	238	129	227	T1 & T2	L/R/LS/RS
55D23	55D23L/R	60	500	100	16.1	232	172	225	T2	L/R
80D23	80D23L/R	62	550	105	16.9	232	172	225	T2	L/R
65D26	NS70L/R	65	530	104	17.7	260	173	225	T2	L/R
80D26	NX110-5L/R	70	600	120	18.8	260	173	225	T2	L/R
75D31	N70ZL/R	70	580	120	20.7	305	173	225	T2	L/R
95D31	NX120-7L/R	80	650	140	21.5	305	173	225	T2	L/R
105D31	NX120-7L/R	90	750	155	22.6	305	173	225	T2	L/R
95E41R	N100	100	640	182	28.1	410	176	233	T2	R/L
MF120	N120	120	680	228	34.1	505	182	240	T2	R/L
MF150	N150	150	785	294	31.0	506	222	255	T2	R/L
MF200	N200	200	1150	421	57.4	521	278	270	T2	R/L
DIN44	DIN44	44	360	65	12.5	210	175	190	T2	L/R
55530/48	DIN55/R	55	420	82	14.6	243	175	190	T2	L/R
DIN60	DIN60/R	60	500	90	15.8	243	175	190	T2	L/R
56638	DIN66	66	540	105	18.0	278	175	190	T2	L/R
DIN74	DIN74	74	580	115	18.3	278	175	190	T2	L/R
58039	DIN80	80	750	157	22.5	313	175	190	T2	L
60038	DIN100	100	750	170	25.2	353	175	190	T2	L
DIN170	DIN B	170	1000	356	48.0	513	223	215	T2	L

## Key To Battery Layout



## Terminal Details

Types of Terminals	Tip Diameter (f.D)	
	Positive (mm)	Negative (mm)
T <sub>1</sub>	14.7 <sup>0</sup> <sub>-0.3</sub>	13.0 <sup>0</sup> <sub>-0.3</sub>
T <sub>2</sub>	19.5 <sup>0</sup> <sub>-0.3</sub>	17.9 <sup>0</sup> <sub>-0.3</sub>

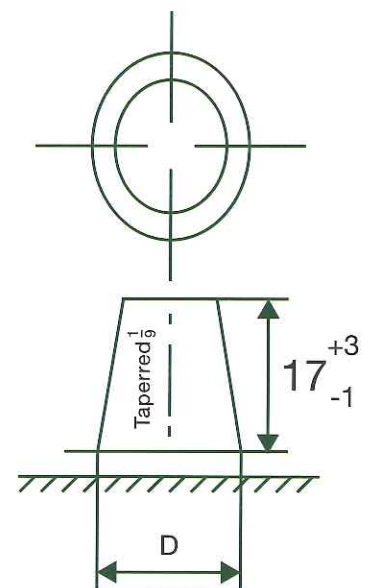


Figure 5 Tapered terminal T<sub>1</sub>, T<sub>2</sub>  
Table 5 dimension of terminals T<sub>1</sub>, T<sub>2</sub>



**GP Marketing Sdn Bhd**

Lot 5031-5032, Jalan Teratai, 5<sup>1/2</sup> Miles,  
Off Jalan Meru, 41050 Klang Selangor.

**Tel:** +603-3392 7180 **Fax:** +603-3392 7237

**Web:** [www.gp-products.com](http://www.gp-products.com)

Authorized Distributor/Dealer: